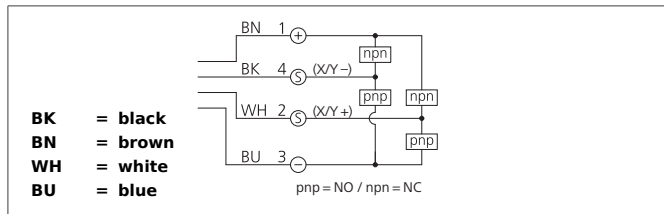


# OBSR 60 M 30 G8-T4

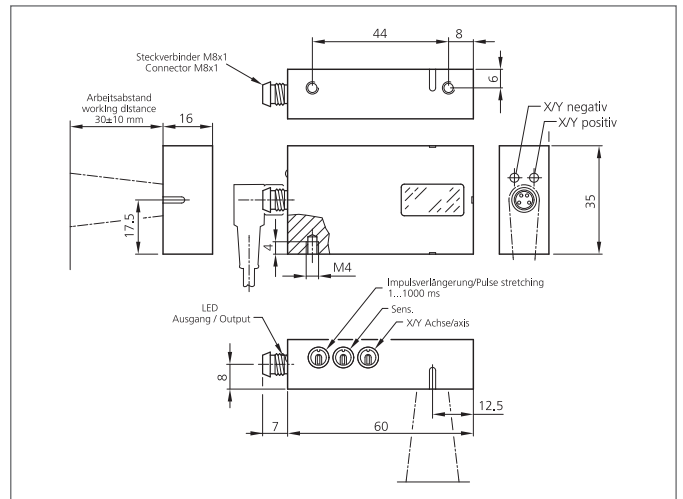
## Optical Movement Sensor

- Detection of direction
- X- or Y-axis switchable
- For contactless feed control
- Detection of metallic, non-metallic and shiny surfaces, also at minimal speed
- Two switching outputs
- Robust metal casing
- High protection class



### Safety instructions

Inproper use may result in hazardous radiation exposure. Pay attention to accident prevention rules and laser class. The instruments are not to be used for safety applications, in particular applications in which safety of persons depends on proper operation of the instruments. These instruments shall exclusively be used by qualified personnel.



TECHNICAL INFORMATION (typ.)		+20°C, 24V DC
Operating principle		Optical
Evaluation		digital
Design		cuboid design
Emitted light		Infrared laser, 850 nm
Laser class		1M (EN 60825-1)
Service voltage		10 ... 30 V DC
Internal power consumption		30 mA
Diameter of light spot		Ø 2 mm
Sensitivity adjustment		potentiometer
Working distance		30 mm ± 10 mm
Switching output		Push pull (2x), 150 mA
Switching hysteresis		Fix 16 % max. 0,1 m/s
Speed of parts		< 5 m/s (material dependent)
Pulse stretching		1 ... 1.000 ms adjustable
Display		2 x LED yellow (Display output)
Voltage drop		< 2,5 V
Response time		10 ms
Ambient temperature		+5 ... +45 °C
Ambient light immunity		5 kLx
Insulation voltage endurance		500 V
Protection class		IP 67
Protection degree		III, operation on protective low voltage
Casing material		Aluminium black anodized

**OBSR 60 M 30 G8-T4**  
**Optical Movement Sensor**



<b>TECHNICAL INFORMATION (typ.)</b>	<b>+20°C, 24V DC</b>
Material	polymethyl methacrylate (Window)
Connection	Connector, M8, 4-poled